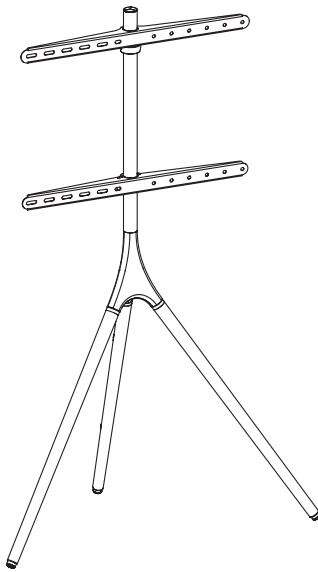


---

## Dark Walnut Easel Studio TV Stand

### Instruction Manual



**SKU: STAND-TV65A**



Scan the QR code with your mobile device or follow the link for helpful videos and specifications related to this product.

<https://vivo-us.com/products/stand-tv65a>

---

GET IN TOUCH | Monday-Friday from 7:00am-7:00pm CST



help@vivo-us.com



www.vivo-us.com  
*Chat live with an agent!*



309-278-5303

# ⚠️ WARNING!

If you do not understand these directions, or if you have any doubts about the safety of the installation, please call a qualified technician. Check carefully to make sure there are no missing or defective parts. Improper installation may cause damage or serious injury. Do not use this product for any purpose that is not explicitly specified in this manual. Do not exceed weight capacity. We cannot be liable for damage or injury caused by improper mounting, incorrect assembly or inappropriate use.

## ⚠️ TIPOVER WARNING

SERIOUS OR FATAL CRUSHING INJURIES CAN OCCUR FROM TIPOVER. TO HELP PREVENT TIPOVER:
















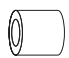







- NEVER ALLOW CHILDREN TO CLIMB, STAND, HANG, OR PLAY ON ANY PART OF TV OR STAND.
- USE TIPOVER RESTRAINT OR ANCHOR STAND TO WALL.

**USE OF TIPOVER RESTRAINTS MAY ONLY REDUCE, BUT NOT ELIMINATE RISK OF TIPOVER.**

## ⚠️ WARNING: CHOKING HAZARD

SMALL PARTS - NOT FOR CHILDREN UNDER 3 YEARS. ADULT SUPERVISION IS REQUIRED.

### PACKAGE CONTENTS

				
<b>A</b> (x2) Leg	<b>B</b> (x1) Center Leg	<b>C</b> (x1) Lower VESA Bracket	<b>D</b> (x1) Upper VESA Bracket	<b>E</b> (x1) Pole
				
<b>F</b> (x2) ST4.2x12 Screw	<b>G</b> (x2) Cable Clip	<b>H</b> (x1) 4mm Allen Wrench	<b>M-A</b> (x4) M5x14	<b>M-B</b> (x4) M6x14
				
<b>M-C</b> (x4) M6x30	<b>M-D</b> (x4) M8x30	<b>M-E</b> (x4) M8x50	<b>M-F</b> (x4) Square Washer	<b>M-G</b> (x8) Small Spacer
				
<b>M-H</b> (x8) Big Spacer	<b>P-A</b> (x1) Steel Cable	<b>P-B</b> (x2) Security Clip	<b>P-C</b> (x2) Security Clip Clamp	<b>P-D</b> (x1) 2mm Allen Wrench
				
<b>P-E</b> (x4) ST4.8x38 Screw	<b>P-F</b> (x4) Anchor	<b>P-G</b> (x2) D5 Washer		

**DO NOT EXCEED WEIGHT CAPACITY.**  
Failure to do so may result in serious injury.

**NOTE:** SOME HARDWARE INCLUDED MAY NOT BE USED

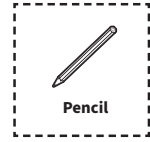
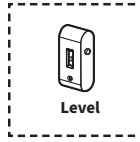


**GLOSSY FLOOR**



**NORMAL FLOOR**

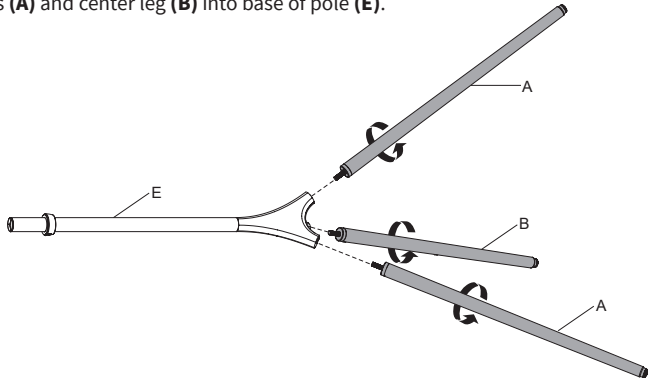
## TOOLS NEEDED



## ASSEMBLY STEPS

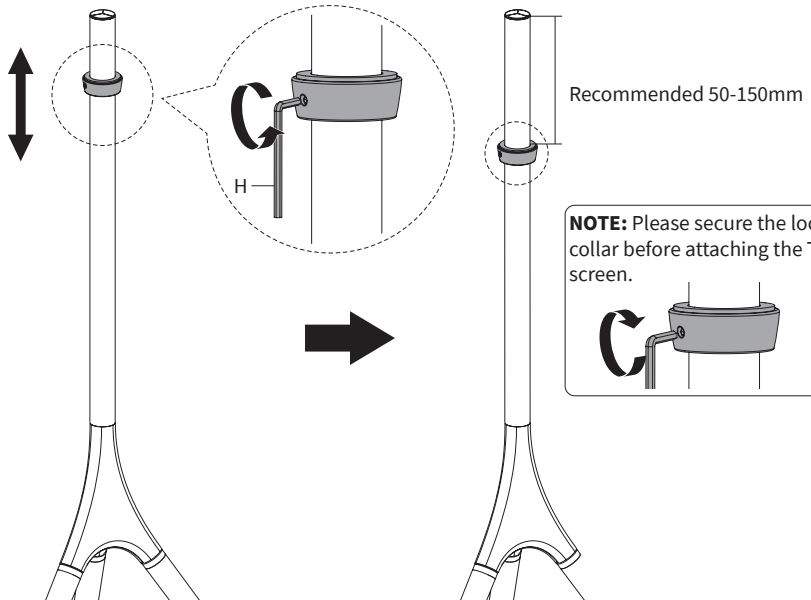
### STEP 1

Screw side legs (A) and center leg (B) into base of pole (E).



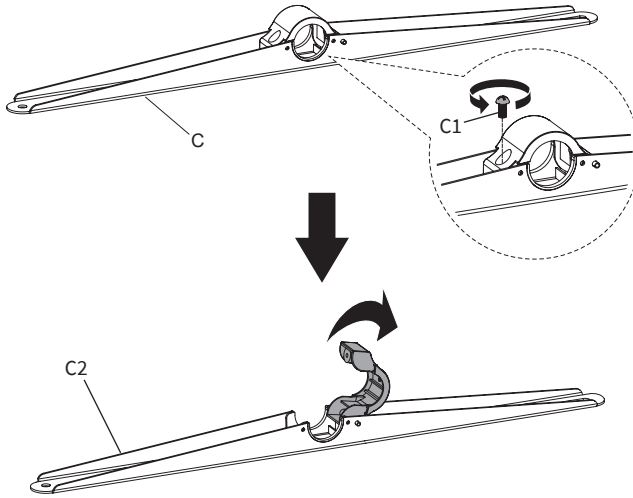
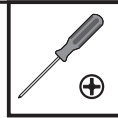
### STEP 2

Adjust collar height using the 4mm Allen wrench (H).



### STEP 3

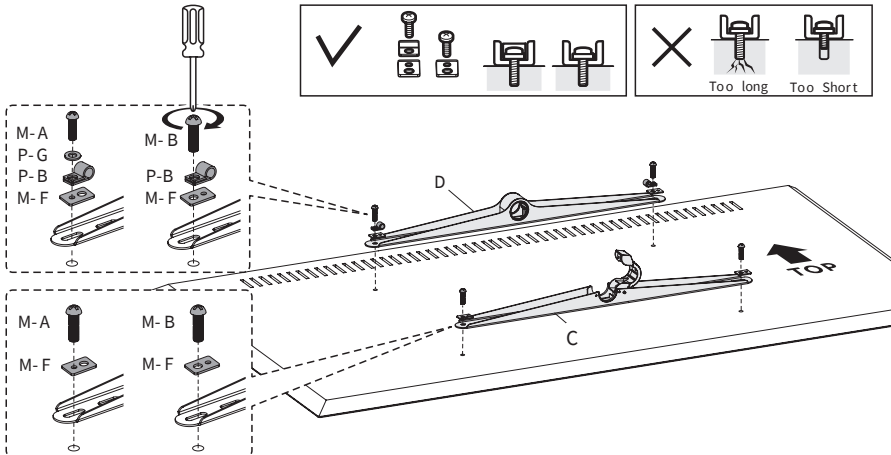
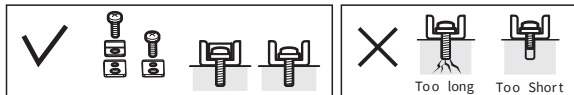
Remove screw from center clamp of lower VESA bracket (C) and open the clamp.



### STEP 4

#### OPTION A: Flat Back Monitor

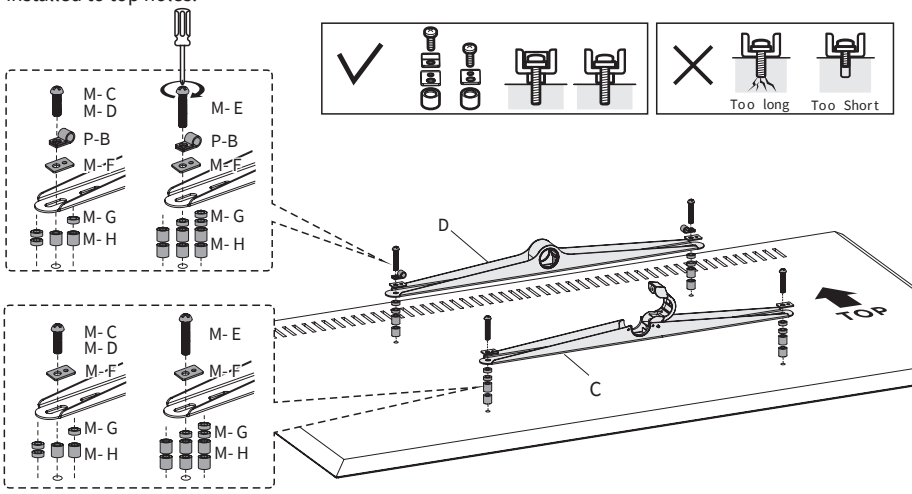
Position VESA brackets horizontally on the back of the TV, making sure upper bracket (D) is on top and lower bracket (C) is below. Secure using screws (M-A or M-B) with square washers (M-F) and D5 Washers (P-G), with security clips (G) installed to top holes.



## STEP 4 (Continued)

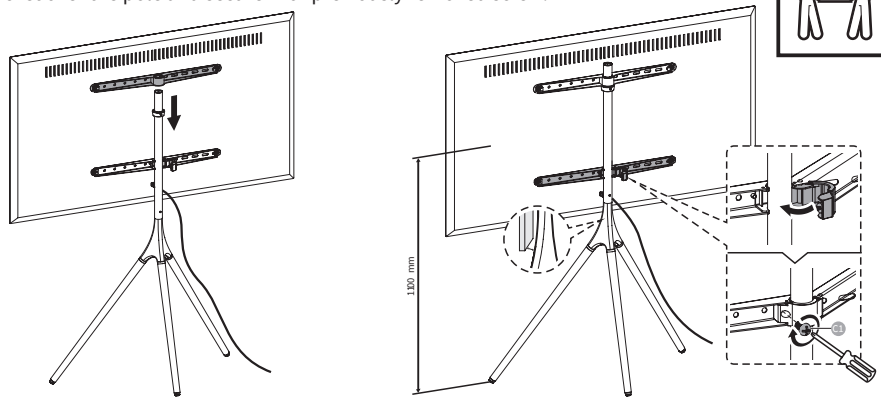
### OPTION B: Large or Curved Back Monitor

Position VESA brackets horizontally on the back of the TV, making sure upper bracket (D) is on top and lower bracket (C) is below. Secure using screws (M-C, M-D or M-E) with square washers (M-F) and spacers (M-G, M-H) with security clips (G) installed to top holes.



## STEP 5

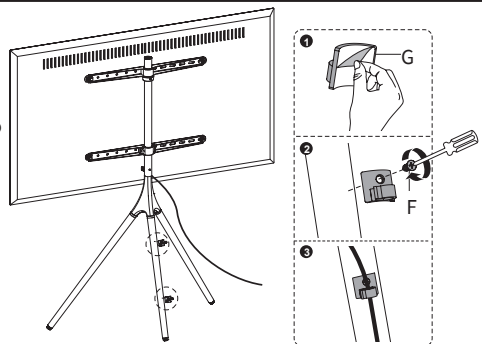
Slide the TV with VESA brackets (C, D) onto pole (E). Close the clamp on lower VESA bracket over the pole and secure with previously removed screw.



## STEP 6

Peel backing from cable clips (G) and install clips on rear leg. Use clips to organize cables.

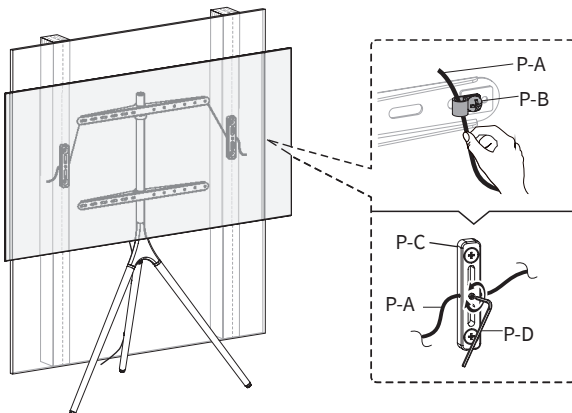
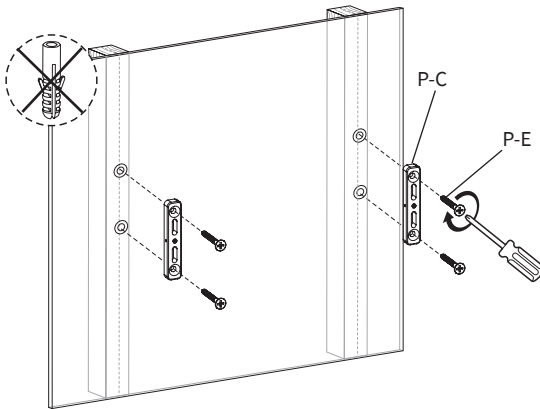
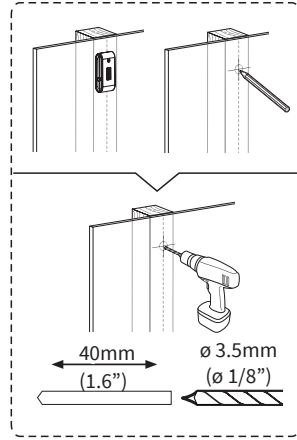
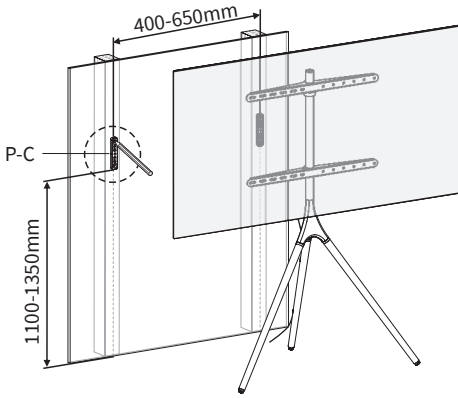
**Optional:** Secure cable clips using ST4.2x12 screws (F). Screws are able to thread directly into wood without drilling pilot holes.



# STEP 7

## OPTION A: Wood Stud Installation

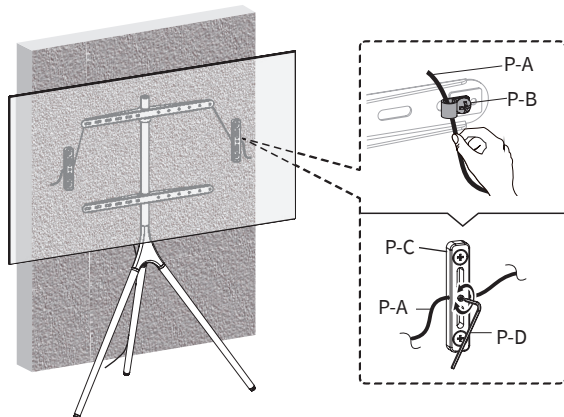
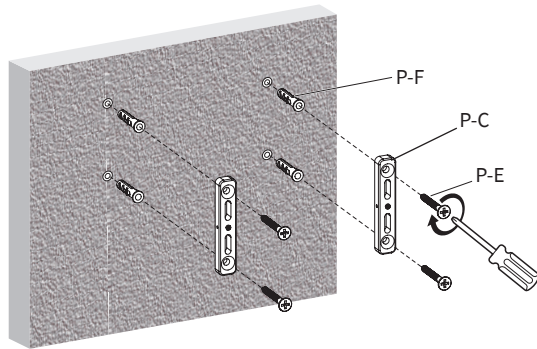
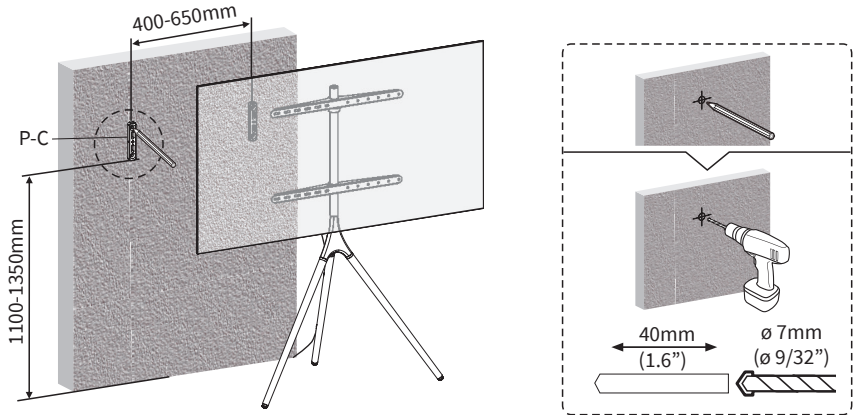
Use a stud finder and a level to locate two adjacent studs. Using Security Cable Clamps (P-C) as guides, mark drilling locations on the wall. Drill a 1.6" (40mm) deep hole using a 1/8" (3.5mm) drill bit. Mount Security Cable Clamps (P-C) to wall using ST4.8x38 screws (P-E). Thread Steel Cable (P-A) through Security Clips (P-B), then through the center holes in the Security Cable Clamps (P-C) as shown, then tighten Clamps (P-C) using the 2mm Allen wrench (P-D).



## STEP 7 (Continued)

### OPTION B: Concrete/ Brick Installation

Using Security Cable Clamps (P-C) as guides, mark drilling locations on wall. Drill holes at least 1.6" (40mm) deep using a 9/32" (7mm) drill bit. Insert anchors (P-F) in holes and mount Cable Clamps (P-C) to wall using ST4.8x38 screws (P-E). Thread Steel Cable (P-A) through Security Clips (P-B) and through the center holes in the Cable Clamps (P-C) as shown, then tighten Clamps (P-C) using the 2mm Allen Wrench (P-D).





Open **Monday - Friday 7:00am - 7:00pm** CST,  
our dedicated support team can offer immediate assistance with rapid response times. If any parts are received damaged or defective, please contact us. We are happy to replace parts to ensure you have a fully functioning product.



309-278-5303

**AVG. RESOLUTION TIME** (*within office hrs*): **5M 4S**



[www.vivo-us.com](http://www.vivo-us.com)  
*Chat live with an agent!*

**AVG. RESOLUTION TIME** (*within office hrs*): **< 15 M**



[help@vivo-us.com](mailto:help@vivo-us.com)

**AVG. RESPONSE TIME** (*within office hrs*): **1HR 8M**

- 23% within < 15m
- 38% within < 30m
- 61% within < 1hr
- 83% within < 2hr
- 92% within < 3hr